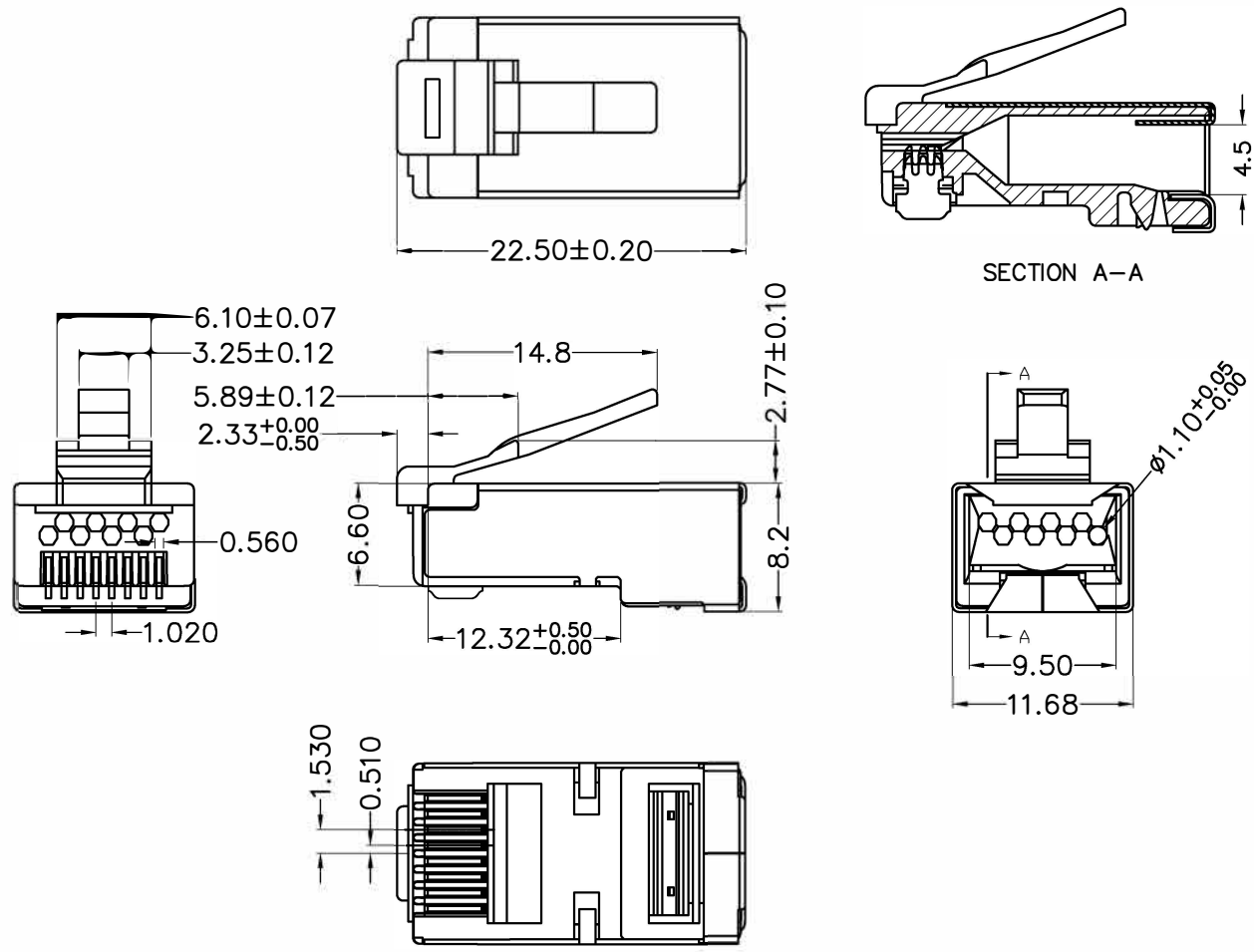


NOTE: ALL MATERIAL COMPLIANT ROHS STANDARD

REVISION INFORMATION

Rev.	Rev. Date	Modified By	Brief Description
01	2021.06.22	JING_LI	Change SPEC
02	2024.05.09	JING_LI	Change SPEC.



NOTES:

- Operation Temperature: $-40^{\circ}\text{C} \sim +85^{\circ}\text{C}$.
- Electrical Characteristics:
 - Rated Current: 125V AC, 1.5A@25°C.
 - Contact Resistance: 20mΩ Max.
 - Insulation Resistance: 500MΩ Min, 100V DC/min.
 - Voltage Proof: 1000V AC/1 minute no breakdown.
- Mechanical Characteristics:
 - Insertion Force & Withdrawal Force: 30N Max.
 - Durability: 750 cycles Min.
- Environmental compliance:
 - the products are compliant with the RoHS, and REACH etc.
- CONDUCTOR: STRANDED & SOLID WIRE, 26AWG. (It can be used for the wire OD from $\phi 1.05 \sim \phi 1.10\text{mm}$.)

1	Modular Plug	Shell	1PCS	43*20**09	Square hole	Au: G/F* <input type="checkbox"/> 1u" <input type="checkbox"/> 3u" <input type="checkbox"/> Ni: 80u" <input checked="" type="checkbox"/>	Brass <input checked="" type="checkbox"/> Spcc <input type="checkbox"/>	DIMENSIONAL TOLERANCE X.X ±0.20 X.XX ±0.10 X.XXX ±0.05 ANGLE ±2°
		Contacts	8PCS	/	2Prongs <input type="checkbox"/> 3Prongs <input checked="" type="checkbox"/>	G/F* <input type="checkbox"/> 1u" <input type="checkbox"/> 3u" <input type="checkbox"/> 6u" <input type="checkbox"/> 15u" <input type="checkbox"/> 30u" <input type="checkbox"/> 50u" <input checked="" type="checkbox"/> OTHER <input type="checkbox"/>	Brass <input checked="" type="checkbox"/> Phosphor copper <input type="checkbox"/>	
		Housing	1PCS	21*1451**	Cat.6A/FTP HOUSING/LONG BODY/4UP AND 4DOWN		94V-2 <input checked="" type="checkbox"/> 94V-0 <input type="checkbox"/>	
NO	NAME	QTY	PART NO.	DESCRIPTION	MATERIAL			

LANshack

Sales@LANshack.com | 888-568-1230

DRAWN BY	DATE 2024.05.09	DESCRIPTION: Cat 6A Shielded STP Feed Through RJ45 Modular Plugs - 6ag of 100
CHECK BY T.D.	SHEET 1 of 3	ITEM NO: C6A-STP-FMP-100
APPROVED BY S.G.	SCALE 1:1	REV:02 UNIT:mm